



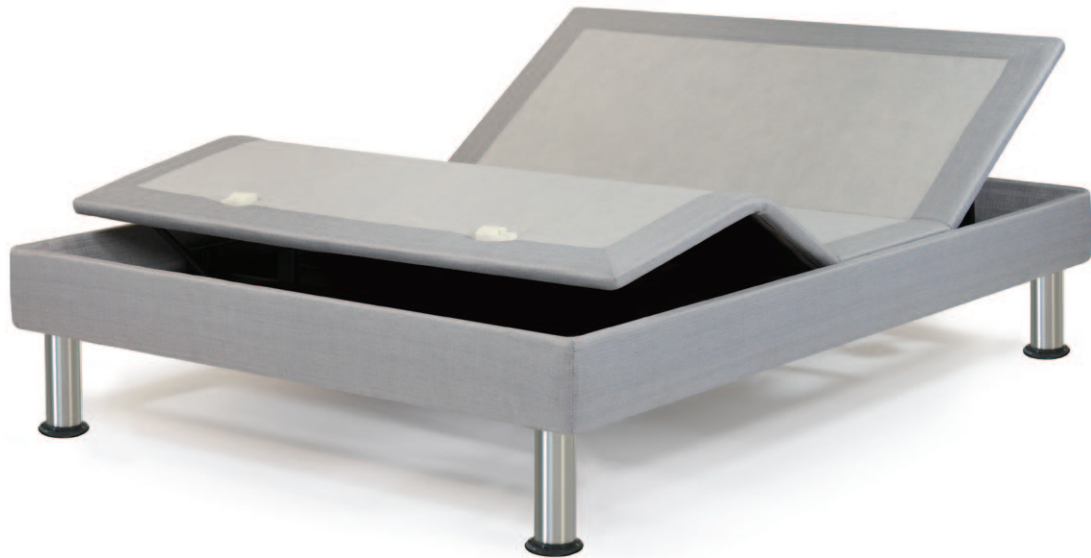
Series 600



SOMETIMES A BED CAN MAKE ALL THE DIFFERENCE



Waking up on the right side of the bed has a lot to do with the bed you're getting out of. With an Ergomotion adjustable base you can start and end each day perfectly—and even relax in the middle. This one-of-a-kind foundation provides ergonomically correct support that evenly distributes pressure, relieving joint and muscle pain.



Pictured: Queen with stainless steel legs and wireless remote. Fabric, remote and legs may vary.

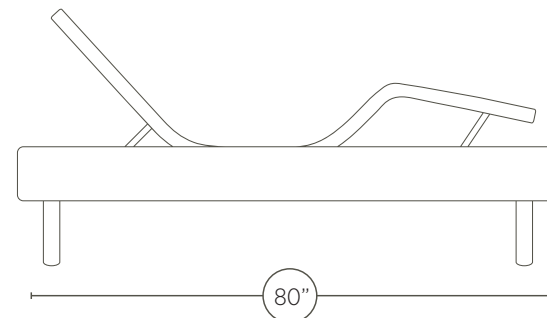


BASE DIMENSIONS

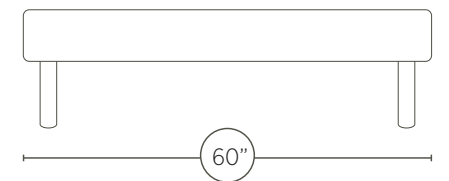
Ergomotion compliments all standard mattress sizes. The bed base is operable with or without legs.

SIZE	DIMENSIONS (INCHES)	WEIGHT (OF BASE ONLY)	WEIGHT CAPACITY
TL-Twin Long	38 x 7.5* x 80	176 lbs	400 lbs
FL-Full Long	54 x 7.5 x 80	223 lbs	450 lbs
Q-Queen	60 x 7.5 x 80	216 lbs	500 lbs
CKS-Cal King Split	36 x 7.5 x 84	172 lbs	400 lbs per side

* Height listed is of base without legs. Overall base height will vary depending upon leg height.



Q-Queen (profile)



Q-Queen (front)

These days a bedroom is more than just a place to sleep, it's a retreat. With an Ergomotion adjustable base, you'll have the ultimate getaway.



FLEXIBLE OPTIONS

Ergomotion offers multiple accessories so you can customize your adjustable base to fit your needs. For ordering information contact your local retailer or visit www.ergomotion.us



Built in Massage Therapy

Ease your aches and pains with our relaxing massage settings. Each of the three intensity levels can be set for 10, 20 or 30 minutes of muscle relaxing bliss.



Wall Saving Feature

The Ergomotion base adjusts, without having to adjust the furniture around it. Our wall saving technology allows you to stay in place next to your nightstand, even when you raise the head.



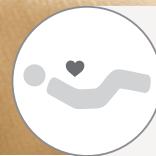
One Touch Positions

Whether you want to work, watch TV, or relax, you can move your Ergomotion in to the perfect position with the simple touch of our TV, Relax and Flat buttons.



Design Comes First, Second and Third

You can place your Ergomotion foundation inside and standard bed frame if you choose, but this base is so well designed that it stands on its own. It is a great addition to and modern room.



Experience Zero G™

Taking pressure off your lower back and spine has never been easier. By elevating your legs above your heart, the Zero G preset will increase circulation throughout your body, relaxing those pesky problem areas.

HIGH-END SUPPORT FOR YOUR HIGH-TECH BED



Maricela- *Service Representative*

We've worked hard to make sure Ergomotion clients receive the best possible customer care, which is why our phone system is manned entirely by *live* service agents. Our helpful, well-trained representatives provide nationwide support, handling your concerns and claims from beginning to resolution.

1-888-550-3746

www.ergomotion.us